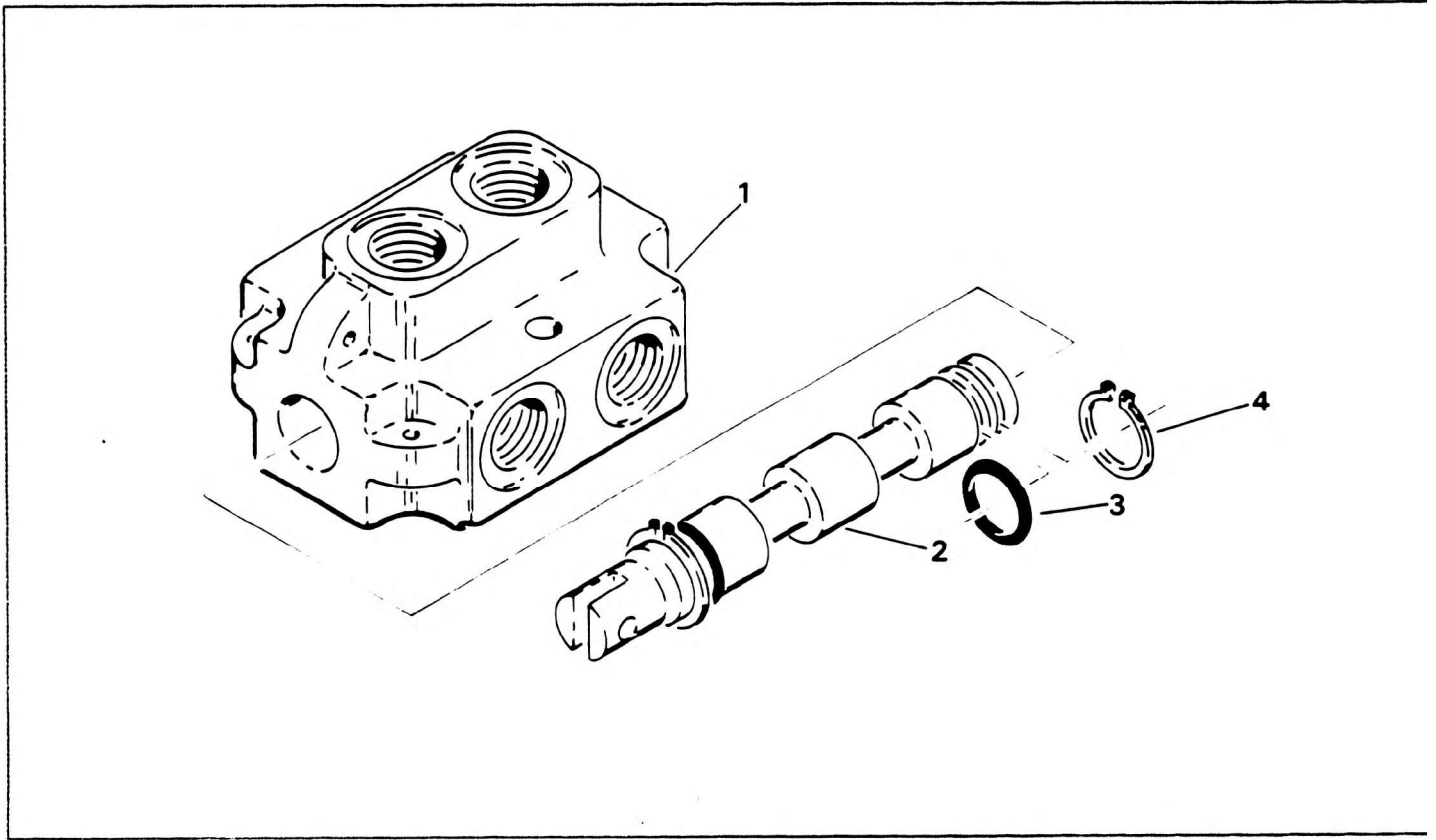


VALVE ASSEMBLY

GROVE



NO.	PART NO.	QTY	DESCRIPTION	NO.	PART NO.	QTY	DESCRIPTION
	7-926-001514		COMPLETE ASSY				
1	NOT SERVICED	1	BODY				
2	NOT SERVICED	1	SPOOL				
3	9-926-104633	2	O-RING				
4	9-926-100851	2	RING, SNAP				

